

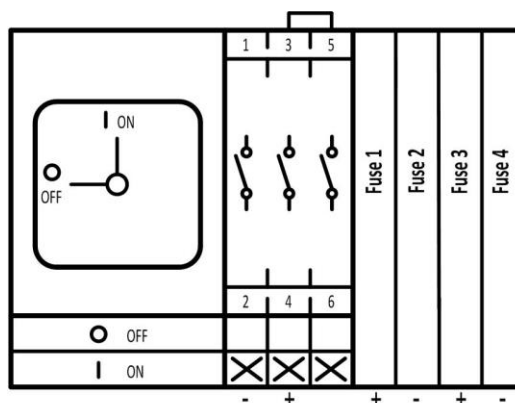
Technical Data Sheet

Part No.: **6104960000**
Product Code: **MDC1A-040-600-3V-2STR-Exel**

Maximum number of strings: 2
Maximum current per string: 12A @ 1000 Vdc
16A @ 800 Vdc
20A @ 600 Vdc
Number of fuses: 4
Size of fuses: 10x38mm
Overvoltage protection: Not included
DC disconnect switch: MDC1A-040-600-3V-9121

DC-Disconnect Switch for Solar Inverters

2-pole 3 Contacts
Cable link 1
Switching Angle 90°
Inscription 1 ON -- 0 OFF
Application base mounting on DIN rail 35mm
Handle P15, OFF-Position 9 o'clock
Front Plate grey
Mech. Dimensions see table below
Utilization Cat. DC21B
Environm. Rating IP65
Certification IEC 60947-1,-3



Electrical Data Series MDC1A:

Rated Operational Voltage U_e	VDC [V]	400	600	800	1000
Rated Operational Current I_e	ADC [A]	40	40	32	25
Rated Impulse Withstand Voltage U_{imp}		8kV			
Rated Insulation Voltage U_i		1000V			

Ambient temperature -25°C to +60°C over 24h, with peaks to 75°C

Wiring Fuse 1 = Generator/Panel (+) 4 = Inverter (+)
Fuse 3 = Generator/Panel (+)
Fuse 2 = Generator/Panel (-) 2 = Inverter (-)
Fuse 4 = Generator/Panel (-)

